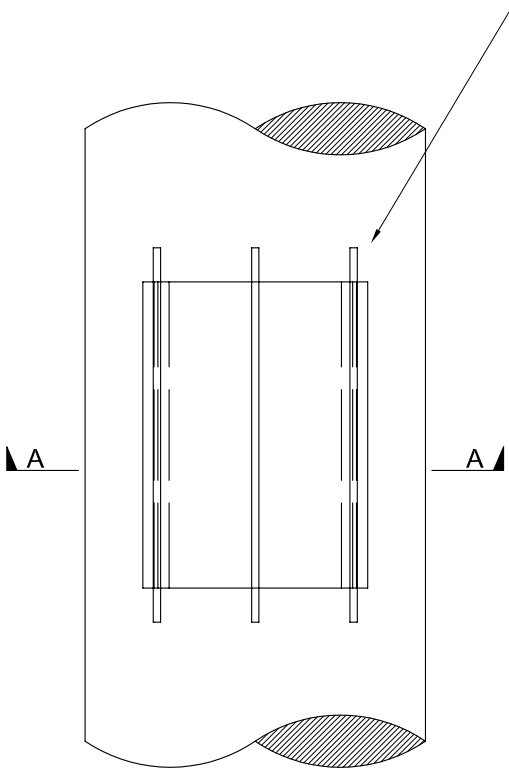
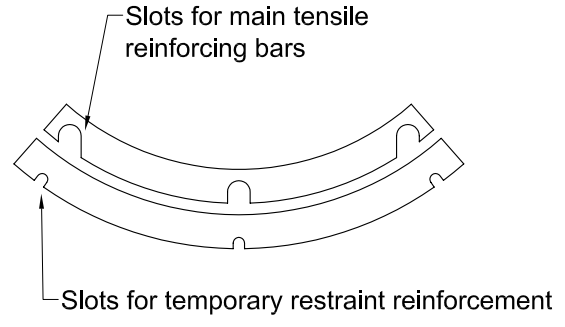


Section A-A



Pilecor box outs held in place using T16 temporary restraint bars welded to cage

Filcor EPS grades & performance		
Grades	Compressive strength @ 1% strain	Max. concrete depth (m)
Filcor 100	100kN/m ²	4.1
Filcor 120	120kN/m ²	5.0
Filcor 140	140kN/m ²	5.8
Filcor 160	160kN/m ²	6.6
Filcor 190	190kN/m ²	7.9
All Filcor grades of expanded Polystyrene are manufactured in accordance with BS EN 13163:2001		
The above materials are available in a flame retardant grade if required		

Pilecor - slab to pile connection

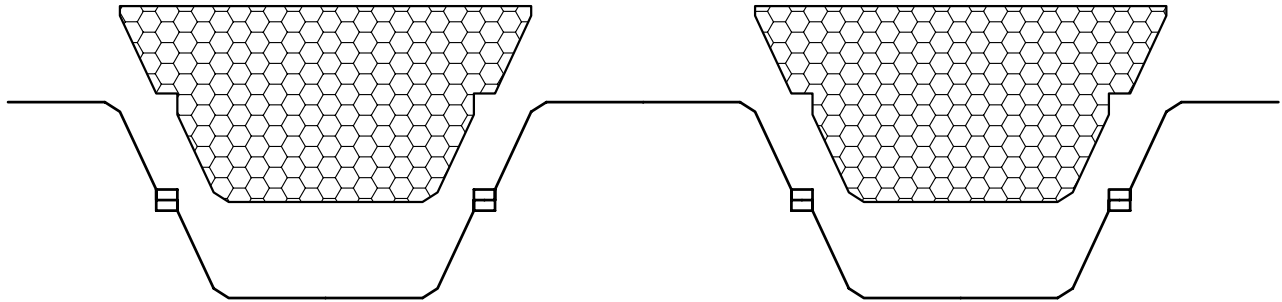
INNOVATIVE PRODUCTS FOR CONSTRUCTION

Spring Copse Business Park
 Slinfold, West Sussex, RH13 0SZ
 Tel: 01403 799600 Fax: 01403 791718
 Email: sales@cordek.com
 www.cordek.com

Drg. No. COR/STD/019 Rev. A

Notes :-

1. This drawing is not to be scaled and is the copyright of Cordek Ltd.



Filcor EPS pile infills can be fabricated to all types and sizes of sheet piling

Supplied in 1220mm lengths - **Filcor** grade to be determined

Filcor EPS grades & performance	
Grades	Maximum recommended load kN/m ²
Filcor 10	10
Filcor 20	20
Filcor 45	45
Filcor 70	70
Filcor 100	100
Filcor 120	120
Filcor 140	140
Filcor 160	160
Filcor 190	190

All Filcor grades of expanded Polystyrene are manufactured in accordance with BS EN 13163:2001

The above materials are available in a flame retardant grade if required

Filcor - sheet pile infills



Spring Copse Business Park
 Slinfold, West Sussex, RH13 0SZ
 Tel: 01403 799600 Fax: 01403 791718
 Email: sales@cordek.com
 www.cordek.com

Drg. No. COR/STD/020

Rev. A

Notes :-

1. This drawing is not to be scaled and is the copyright of Cordek Ltd.